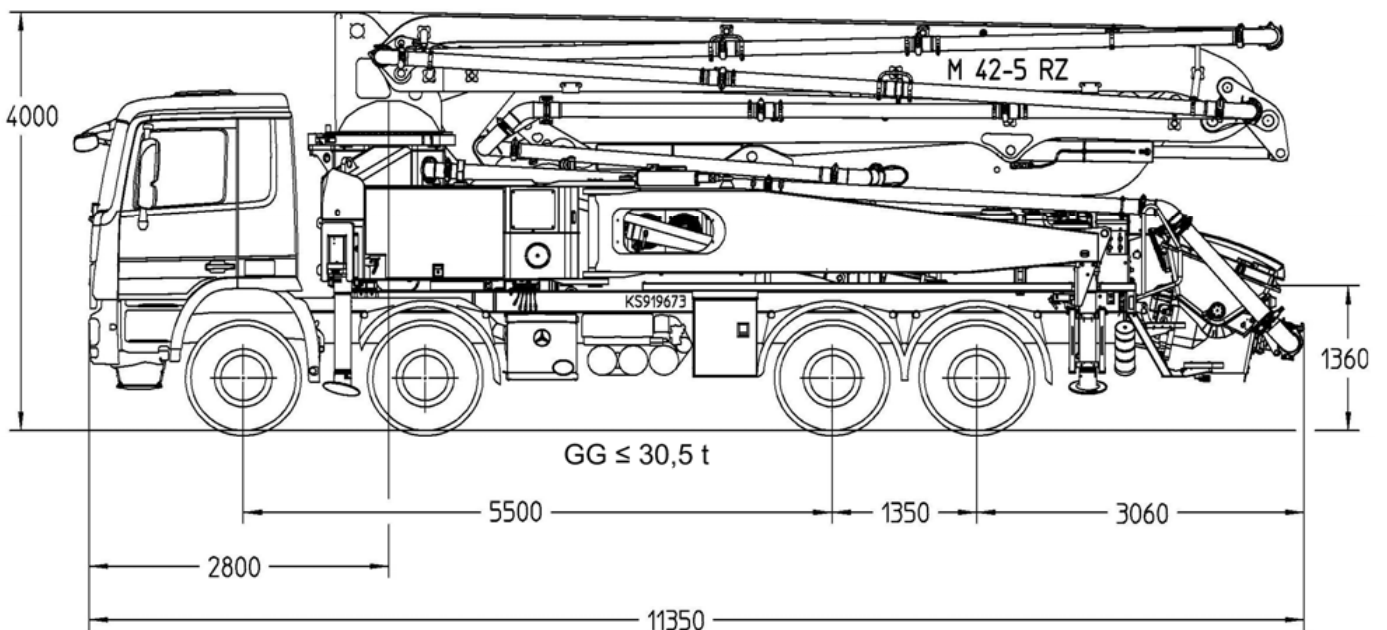
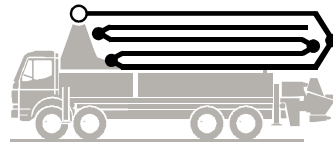


Putzmeister

Truck-mounted concrete pump BSF 42-5.16 H

.16 H LS

Output up to 160 m³/h
Delivery pressure up to 85 bar*



Note: Standard version. Dimensions and weights depend on truck, pump model and equipment.
Dimensions in mm, MB-Actros 3241, Euro 5 as example.

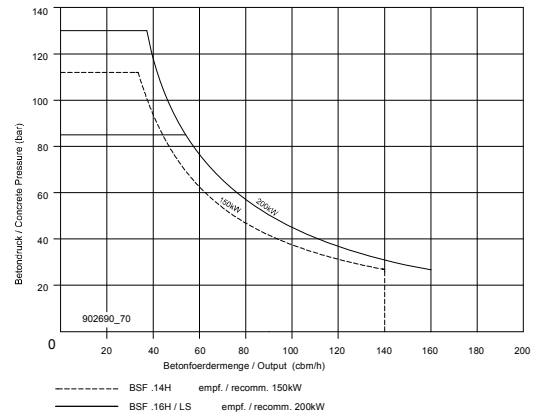
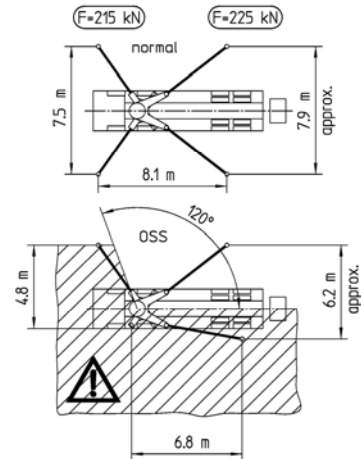
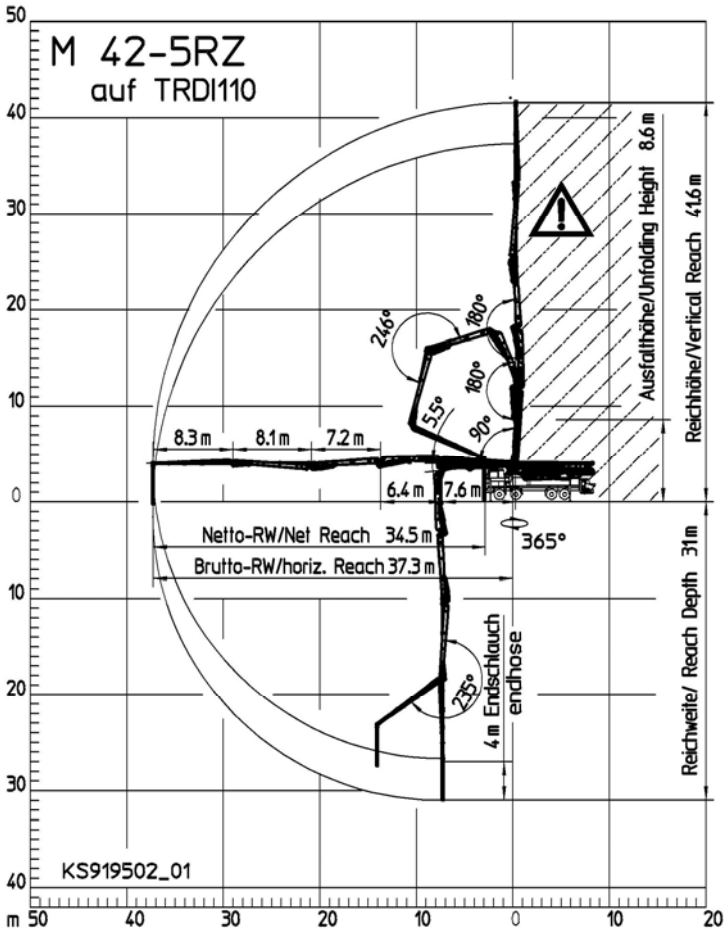
Technical data

Boom M 42-5		
Sections		5
Reach height	m	41.6
Horizontal reach	gross	m 37.3
	net	m 34.5
Reach depth max.	m	31.0
Unfolding height	m	8.6
End hose length	m	4
Folding system		RZ
Delivery line		DN 125

Pump		BSF	.16 H	.16H LS
Rod side	Output	m ³ /h	160	-
	Delivery pressure	bar	85	-
	Strokes	1/min.	31	-
Piston side	Output	m ³ /h	-	160
	Delivery pressure	bar	-	85
	Strokes	1/min.	-	26
	Delivery cylinder	Ø mm	230	250
	Stroke	mm	2100	2100

*) Delivery line boom max. 85 bar.
All data maximum theoretical.

Reach information diagram, Support, Performance diagram



All data max. theor.



Range in which you must not work with the end hose.

Serial delivery scope

Agitator and water pump radio remote / on-site controlled	Diagnose interface	Remote control with 40 m cable, without display
Agitator safety cutout (RSA) in RFID with self-start protection	End hose 4,0 m DN 125	Rubber collar at hopper
Box for delivery slip	Ergonic Graphic Display (EGD) with machine-fault-management	Spectacle wear plate DURO 22
Box for sponge balls	Ergonic Pump System (EPS) incl. Ergonic Output Control (EOC)	Splash guard fixed
C-pipe connection for filling water tank	Flushing water pump 160 l/min, 25 bar	Spray hose 10 m incl. bracket
Cardan shaft maintenance free	Handrail left/right	Storage box, plastic, black
Central lubrication hopper, electrically	Hinged elbow with cleaning port	S-transfer tube switchover normal/fast
Cleaning port with sliding pin	Chassis horn, yellow button at hopper	Supportplates at slewing leg in holder
Concrete hopper RS 909 with agitator	Hydraulic spare hose in hose-package	Toolset incl. standard equipment
Connections for hydraulic emergency supply	Operating manual certified	Towing eye
Delivery cylinder, chrome-plated	Oscillating support plates	Wateroutlet for small amounts at hopper (1/2")
Delivery line (1-layer) PM 40, arm assembly	Platform non-skid	Watertank 800 l
Delivery piston "compact" (14 H, 16 H), "single" (16 H LS)	Radio remote control proportional with display	Working light for lightening of hopper
	Rearsteps foldable	

See quotation for exact serial delivery scope.
Comprehensive range of options available on request.